



The Rinser

— Pitcher Rinser & Parts —

"The Rinser"

Pitcher Rinser and Parts

TEL: +30 2521 500 504

Aischilou & Ethnikis Aminis

Drama

e-mail: info@therinser.co

website: www.therinser.co



The Rinser

— Pitcher Rinser & Parts —

Specification/Technical Sheet



Flush Device Pitcher Rinser

Code: TR101

(15x14x6.3Ycm)

Manual Instructions

Product Information

Flush Device Pitcher Rinser

Code: TR101
Material: 304 stainless steel
Dimensions: 15x14x6.3Ycm
Inlet: Water Inlet is 1/2

On most coffee shops and bars, washing bostons and milk pitchers is a process repeated multiple times a day. The pitcher rinsers require a mains water in and a drain out connection.

Read and keep this manual to ensure the safety use of the device

Installation Instructions



For the placement cut the bench in the size 1 and 2 according to the picture (14x15.4)

Parts of Pitcher Rinser Mechanism



1. Flanges



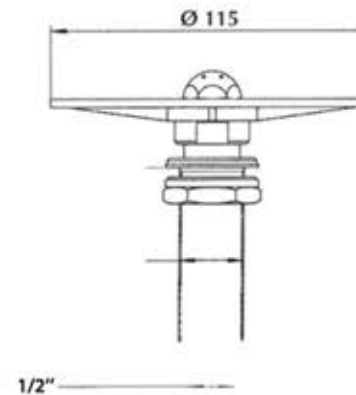
2. Pistons



3. Springs



4. Pitcher Rinser Mechanism



Any size jug from 50ml to a 2 Litre size jug can be cleaned in this way. Just place it upside-down and push! Easy, fast and clean!